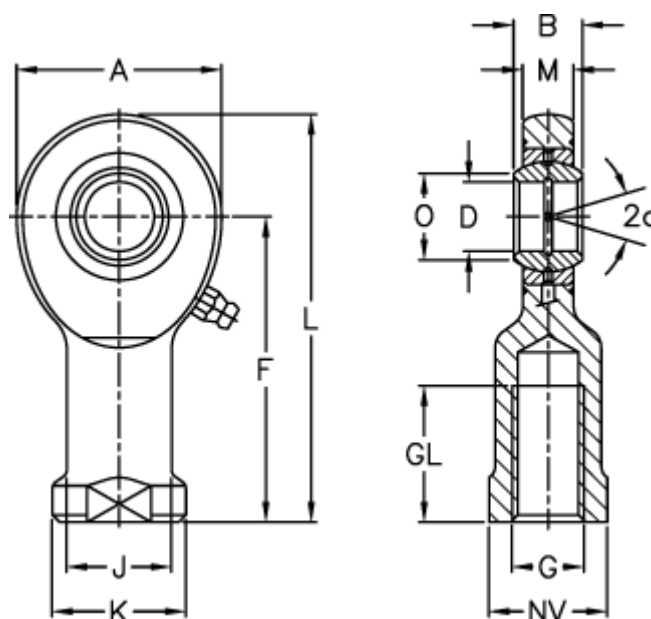


Article number: 03480020  
 Description: Fluro Rod end EIL 20  
 Note: 20

## Measures



A	= 53	J	= 27.5
a (degrees)	= 9	K	= 35
B	= 16	L	= 103.5
D	= 20	M	= 13
Dynamic drive (kN)	= 30	NV	= 32
F	= 77	O	= 24.2
g	= M20x1,5	Static drive kN	= 62.5
GL	= 38	Weight	= 350